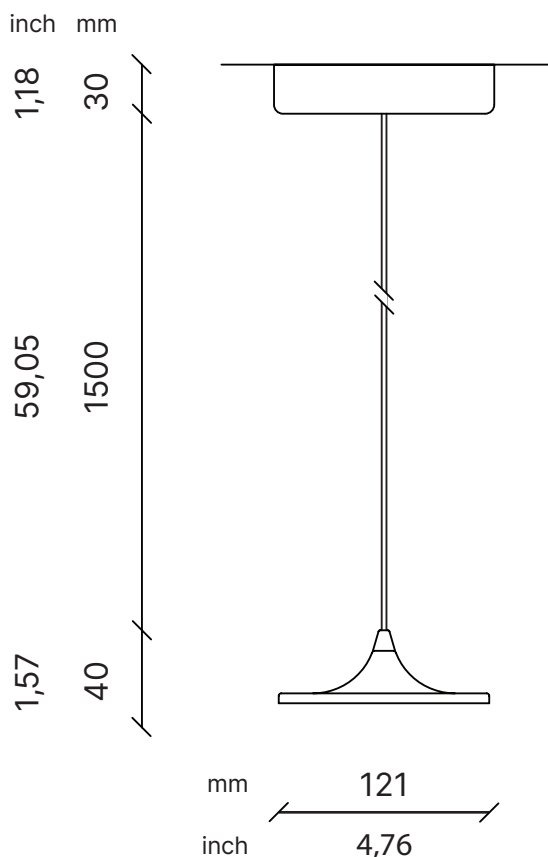
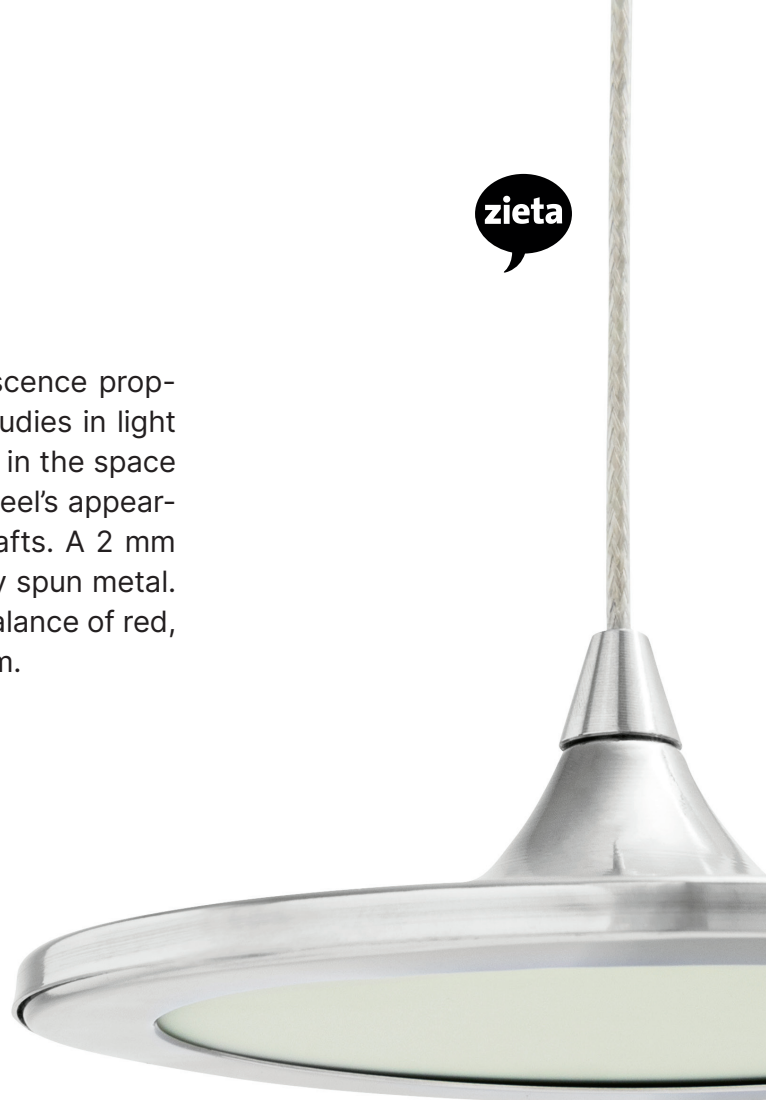


Luna



LUNA overwhelms with its thickness and luminescence properties. It is a joiner of advanced technological studies in light sources and metal manufacturing. LUNA performs in the space weightlessly. Its surface tells a detailed story of steel's appearance and the complexity of the process of its crafts. A 2 mm OLED light source is framed in a shape of carefully spun metal. It mimics natural sunlight and provides a perfect balance of red, green, and blue colours across the visible spectrum.



MATERIAL
stainless steel

CONTROL
CASAMBI

CCT
4000 K CRI \geq 90
R9 > 75

LEVEL OF PROTECTION
IK03
IP20

3000 K CRI \geq 90
R9 > 50

LIGHT SOURCE TYPE
OLED

VOLTAGE
230 V 50 Hz

WEIGHT
0,40 kg
0,88 lb

LUMEN
4000 K: 165
3000 K: 200

POWER
3,3 W

BEAM ANGLE
180°

