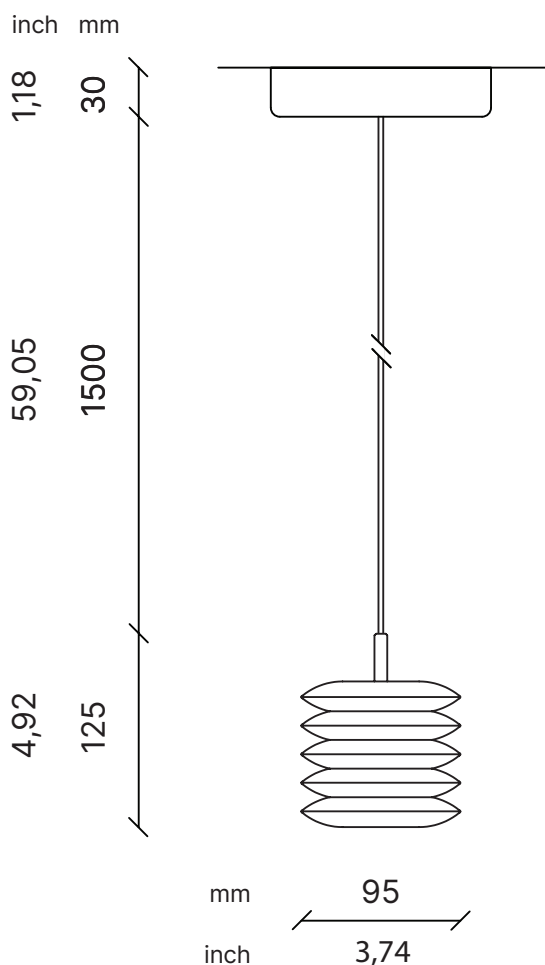


# Harmonica



The **HARMONICA** features a unique lighting system, with LED diode, providing a warm, ambient glow. It is tiny in size but manifests gigantic production process potential. **HARMONICA** materializes the core of FiDU manufacturing: volumetric expansion of metal with compressed air.



<b>MATERIAL</b> stainless steel	<b>CONTROL</b> CASAMBI
<b>CCT</b> 4000 K, 3000 K, 2700 K	<b>LUMEN</b> 4000 K: 422
<b>CRI</b> ≥ 90	3000 K: 422
<b>R9</b> ≤ 60	2700 K: 422
<b>LIGHT SOURCE TYPE</b> LED	<b>VOLTAGE</b> 220-240 V, 50-60 Hz
<b>WEIGHT</b> 0,55 kg 1,21 lb	<b>LEVEL OF PROTECTION</b> IK03 IP20
<b>POWER</b> 4,6 W	<b>BEAM ANGLE</b> 36°

